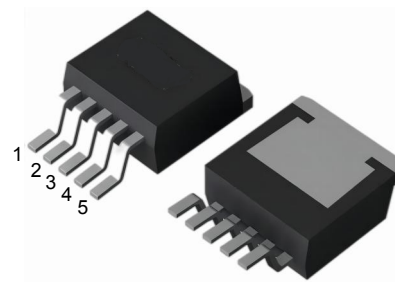


## General Description

The LM2575S is a series of easy to use fixed and adjustable step-down (buck) switch-mode voltage regulators. These devices are available in fixed output voltage of 3.3V, 5V, and an adjustable output version. Both versions are capable of driving a 3A load with excellent line and load regulation.

Requiring a minimum number of external components, these regulators are simple to use and include internal frequency compensation, and a fixed-frequency oscillator.

The output voltage is guaranteed to  $\pm 3\%$  tolerance under specified input voltage and output load conditions. The oscillator frequency is guaranteed to  $\pm 15\%$ . External shutdown is included, featuring typically 80  $\mu\text{A}$  standby current. Self protection features include a two stage frequency reducing current limit for the output switch and an over temperature shutdown for complete protection under fault conditions.



5 ON/OFF  
4 Feedback  
3 Gnd  
2 Output  
1 Vin

**TO263-5L**

## Features

- 3.3V, 5V and adjustable output versions
- Output adjustable from 1.23V to 37V
- Fixed 52KHz frequency internal oscillator
- Guaranteed 3A output load current
- Input voltage range up to 40V
- Low power standby mode,  $I_Q$  typically 80  $\mu\text{A}$
- TTL shutdown capability
- Excellent line and load regulation
- Requires only 4 external components
- High efficiency
- Thermal shutdown and current limit protection

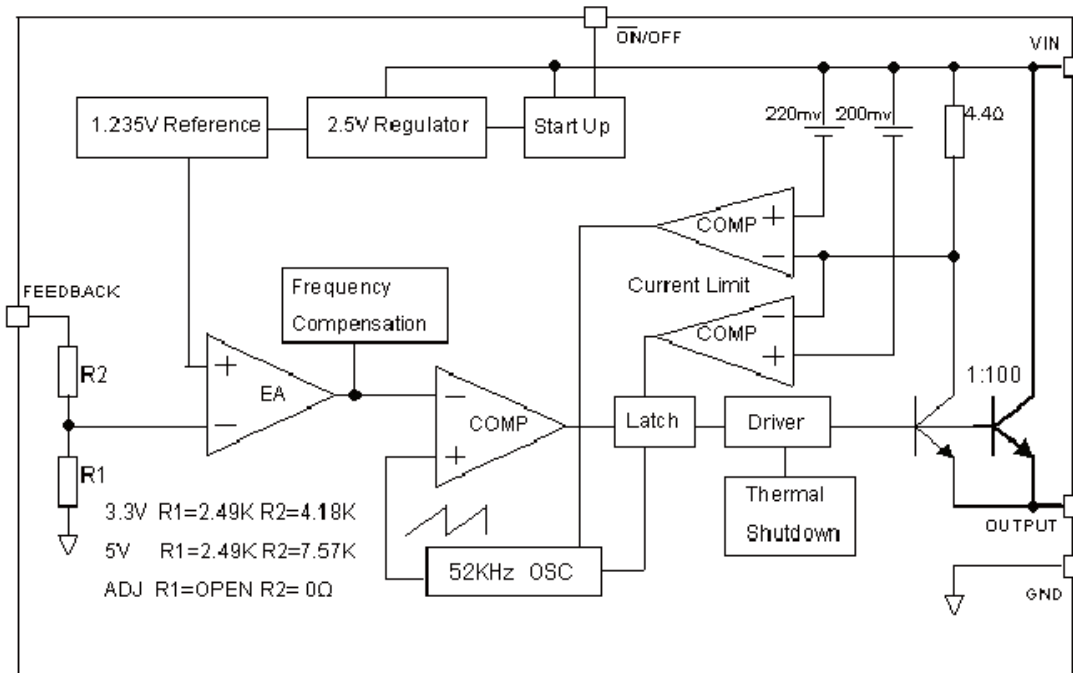
Name	Description
Vin	Input supply voltage
Output	Switching output
Gnd	Ground
Feedback	Output voltage feedback
ON/OFF	ON/OFF shutdown Active is "Low" or floating

## Pin Descriptions

## Applications

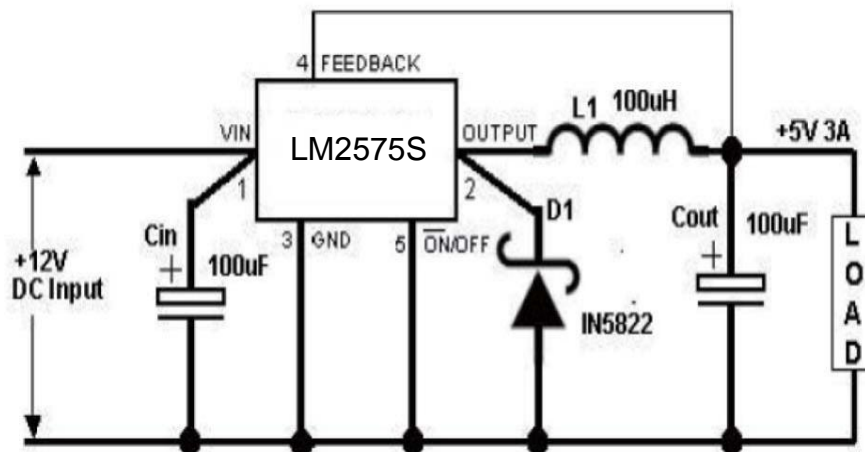
- Simple High-efficiency step-down regulator
- On-card switching regulators
- Positive to negative converter
- LCD monitor and LCD TV
- DVD recorder and PDP TV
- Battery charger
- Step-down to 3.3V for microprocessors

**Functional Block Diagram**



Functional Block Diagram of LM2575S

**Typical Application (Fixed Output Voltage Versions)**



Typical Application of LM2575S

## Absolute Maximum Ratings

Note1: Stresses greater than those listed under Maximum Ratings may cause permanent damage to the device. This is a stress rating only and functional operation of the device at these or any other conditions above those indicated in the operation is not implied. Exposure to absolute maximum rating conditions for extended periods may affect reliability.

Parameter	Value	Unit
Supply Voltage $V_{in}$	-0.3 to 40	V
Feedback VFB pin voltage	-0.3 to $V_{in}+0.3$	V
ON/OFF Pin voltage	-0.3 to $V_{in}+0.3$	V
Output pin voltage	-0.3 to $V_{in}+0.3$	V
Output Voltage to Ground (Steady State)	-1	V
Power Dissipation	Internally limited	W
Operating Temperature Range	-40 to +125	°C
Storage Temperature	-65 to +150	°C
Lead Temperature (Soldering, 10 sec)	260	°C
ESD(HM)	2000	V
Thermal Resistance-Junction to Ambient( $R_{\theta JA}$ )	85	°C / W
Thermal Resistance-Junction to Case( $R_{\theta JC}$ )	45	°C / W

## Electrical Characteristics (All Output Voltage Versions)

Unless otherwise specified,  $T_a = 25^\circ\text{C}$ .

Symbol	Parameter	Conditions	Min.	Typ.	Max.	Unit
$I_b$	Feedback bias current	Adjustable only, $V_{FB}=1.3V$		10	50	nA
$I_Q$	Quiescent current	$V_{FB}=12V$ force driver off		5	10	mA
$I_{STBY}$	Standby quiescent current	ON/OFF=5V, $V_{IN}=36V$		80	200	uA
$F_{OSC}$	Oscillator frequency		47	52	58	KHz
$V_{SAT}$	Saturation voltage	$I_{OUT}=3A$		1.2	1.4	V
$I_{CL}$	Current Limit	Peak Current ( $V_{FB}=0V$ )		4.5	5.5	A
$I_L$	Output leakage current	Output=0V ( $V_{FB}=12V$ )			50	uA
	Output leakage current	Output=-1V ( $V_{IN}=36V$ )		2	30	mA
$V_{IL}$	ON/OFF pin logic input	Low (Regulator ON)		1.3	1.6	V

V <sub>IH</sub>	Threshold voltage	High (Regulator OFF)	2.0	1.3		V
I <sub>H</sub> I <sub>L</sub>	ON/OFF pin input current	V <sub>LOGIC</sub> =2.5V(Regulator OFF)		5	15	μA
		V <sub>LOGIC</sub> =0.5V(Regulator ON)		0.02	5	μA
θ <sub>JC</sub>	Thermal Resistance Junction to Case			3.5		°C/W
θ <sub>JA</sub>	Thermal Resistance Junction to Ambient (Note1)			23		°C/W
LM2575 S-ADJ	V <sub>out</sub> : Output Voltage	<b>11V ≤ V<sub>IN</sub> ≤ 40V, 0.2A ≤ I<sub>LOAD</sub> ≤ 3A, V<sub>OUT</sub> for 9V</b>	1.193	1.23	1.267	V
	η : Efficiency	V <sub>IN</sub> =12V, V <sub>OUT</sub> =9V, I <sub>LOAD</sub> =3A		88		%
LM2575 S-3.3V	V <sub>out</sub> : Output Voltage	<b>4.75V ≤ V<sub>IN</sub> ≤ 40V, 0.2A ≤ I<sub>LOAD</sub> ≤ 3A</b>	3.168	3.3	3.432	V
	η : Efficiency	V <sub>IN</sub> =12V, I <sub>LOAD</sub> =3A		76		%
LM2575 S-5V	V <sub>out</sub> : Output Voltage	<b>7V ≤ V<sub>IN</sub> ≤ 40V, 0.2A ≤ I<sub>LOAD</sub> ≤ 3A</b>	4.800	5.0	5.200	V
	η : Efficiency	V <sub>IN</sub> =12V, I <sub>LOAD</sub> =3A		83		%

Specifications with **boldface type** are for full operating temperature range, the other type are for T<sub>J</sub>=25°C.

Note1: Thermal resistance with copper area of approximately 3 in<sup>2</sup>.

## Typical Performance Characteristics

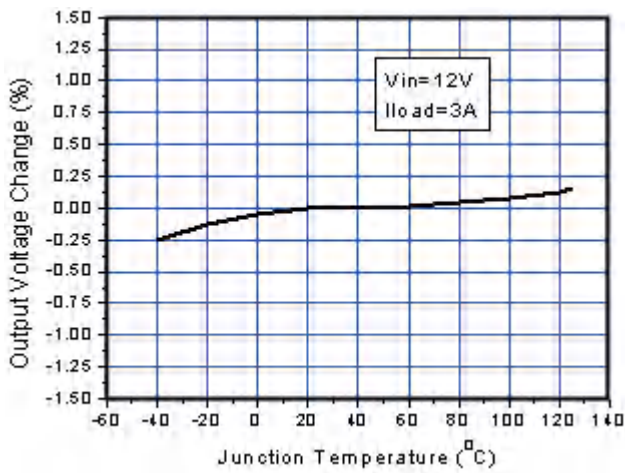


Figure 1. Output Voltage vs. Temperature

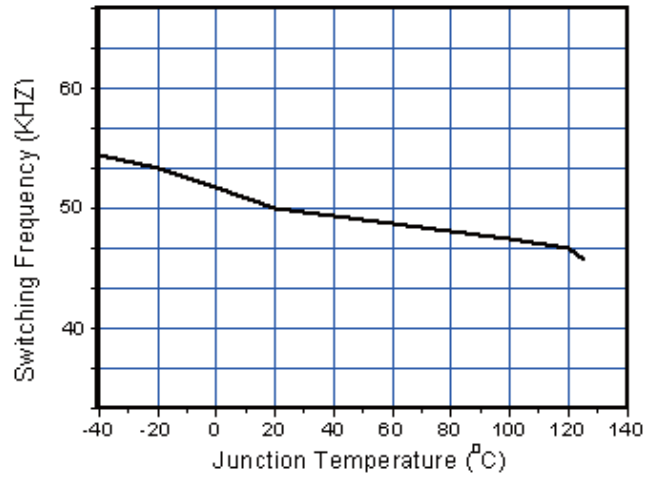


Figure 2. Switching Frequency vs. Temperature

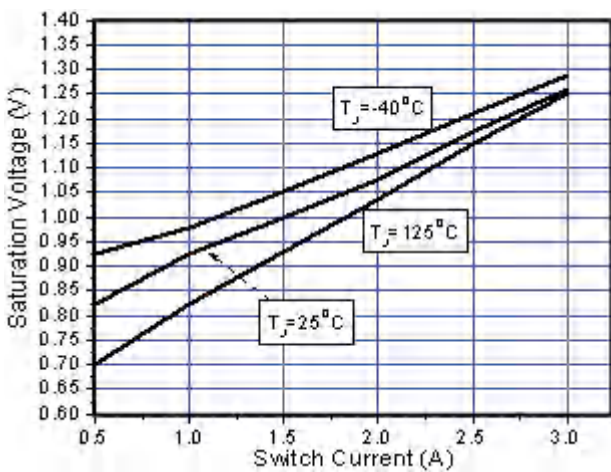


Figure 3. Output Saturation Characteristics

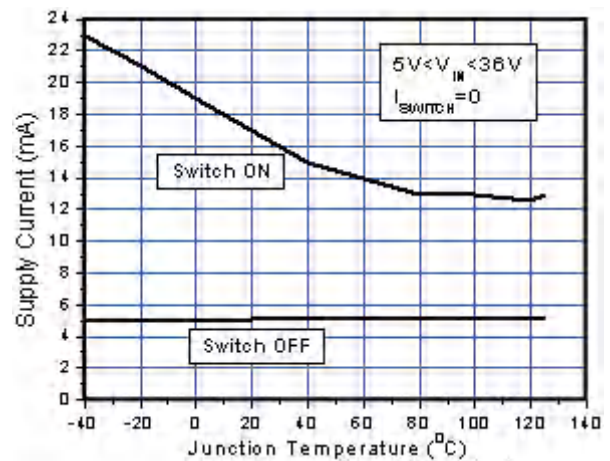


Figure 4. Quiescent Current vs. Temperature

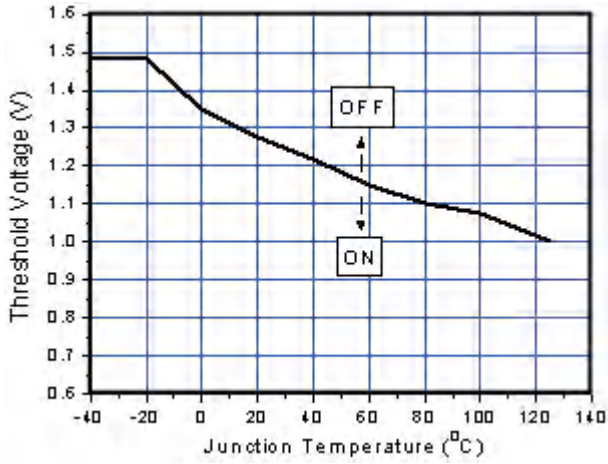


Figure 5. ON/OFF Pin Voltage

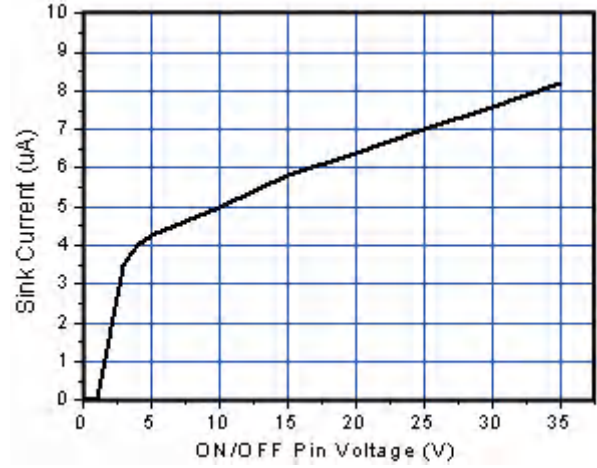


Figure 6. ON/OFF Pin Sink Current

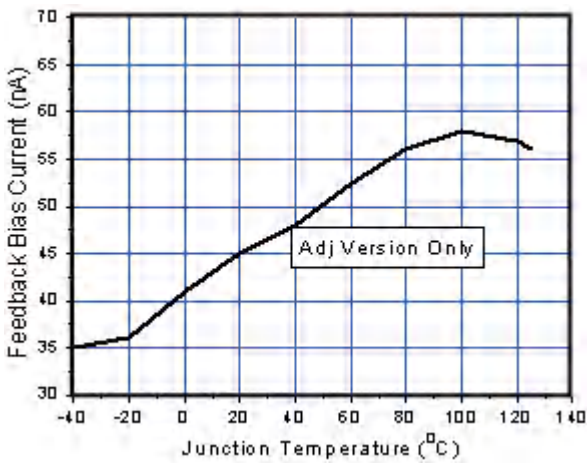
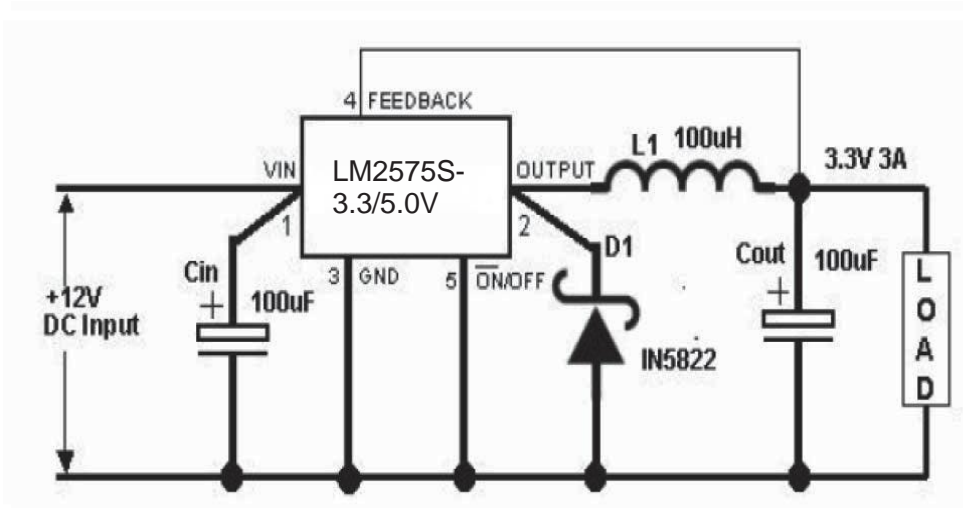
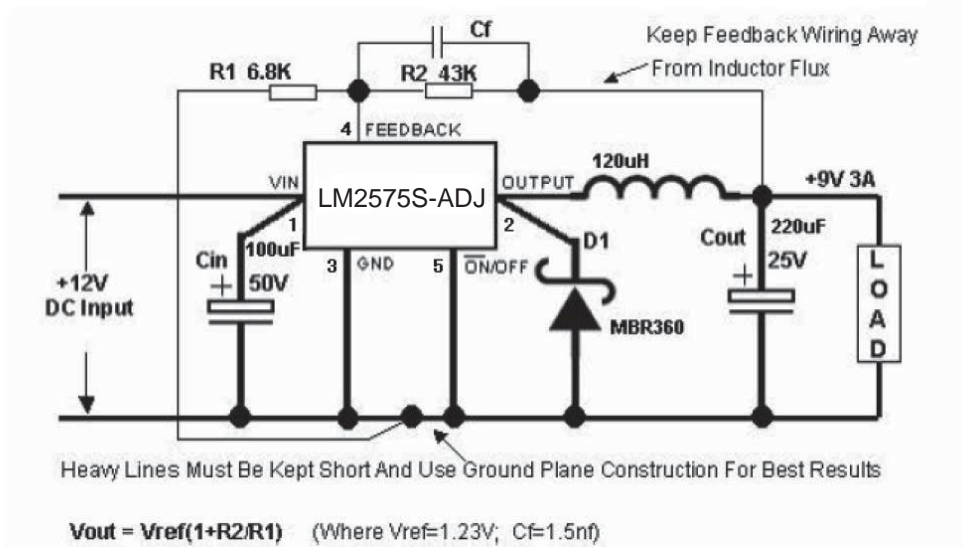


Figure 7. Output Saturation Characteristics

**Typical Application Circuit**



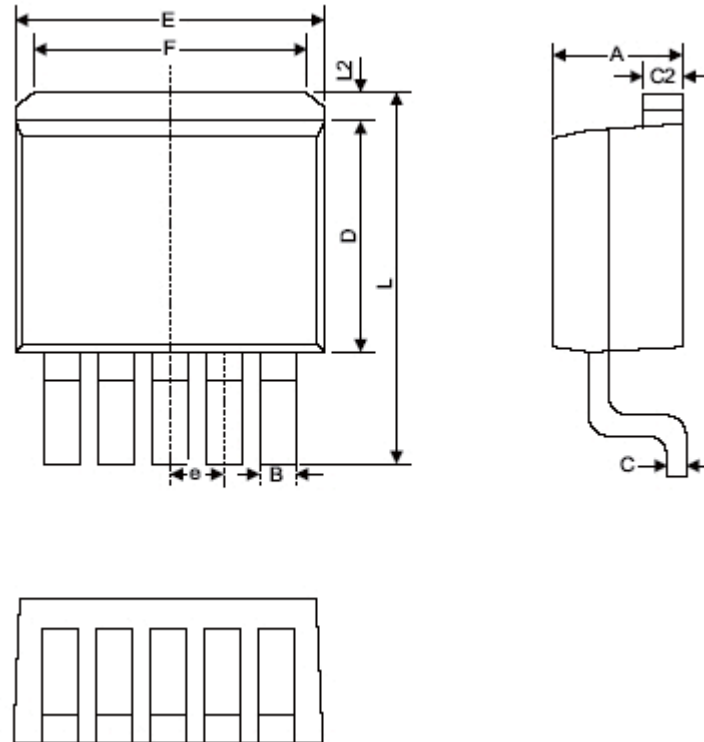
Typical Application of LM2575S For 3.3V,5.0V



$V_{out} = V_{ref}(1+R2/R1)$  (Where  $V_{ref}=1.23V$ ;  $C_f=1.5nf$ )

Typical Application of LM2575S For ADJ

## Package Information (TO263-5L)



Symbol	Dimensions In Millimeters		Dimensions In Inches	
	Min.	Max.	Min.	Max.
A	4.06	4.83	0.160	0.190
B	0.76	1.02	0.030	0.040
C	0.36	0.64	0.014	0.025
C2	1.14	1.40	0.045	0.055
D	8.64	9.65	0.340	0.380
E	9.78	10.54	0.385	0.415
e	1.57	1.85	0.062	0.073
F	6.60	7.11	0.260	0.280
L	15.11	15.37	0.595	0.605
L2	-	1.40	-	0.055